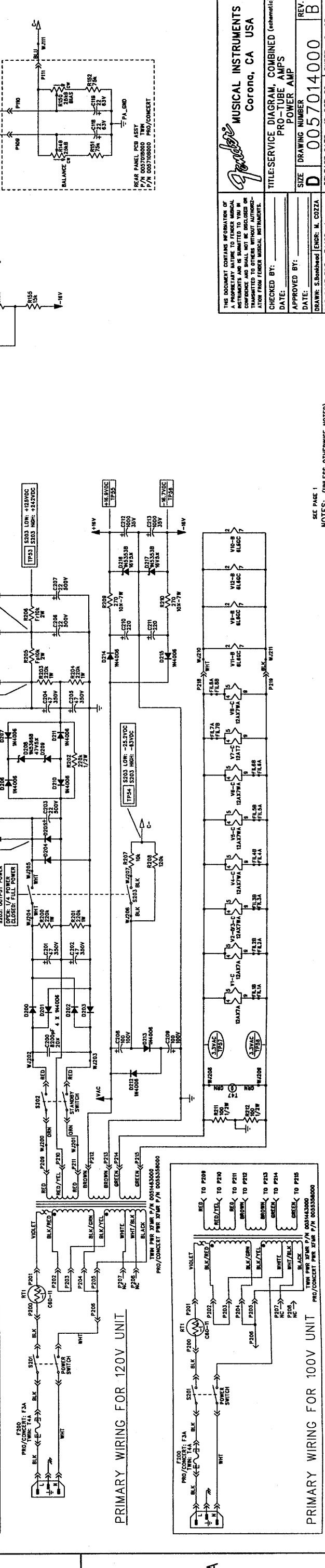
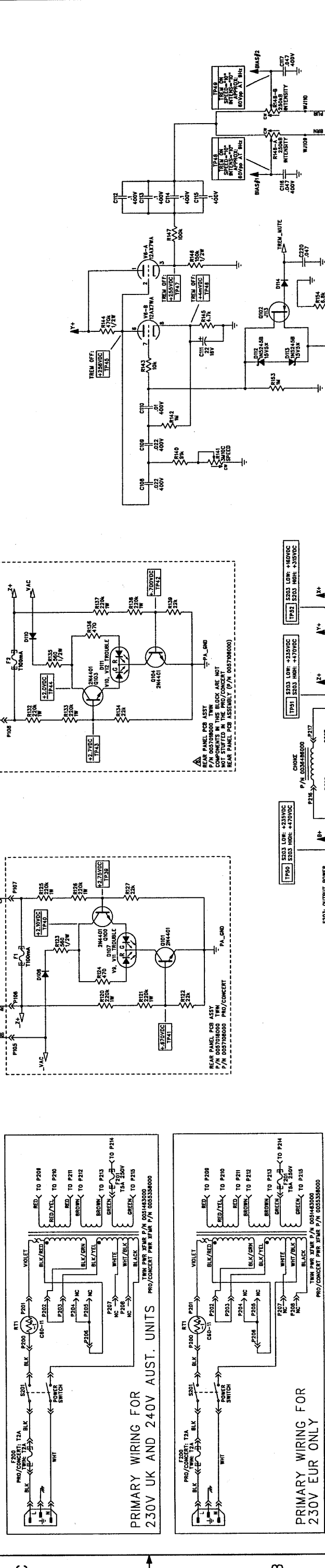
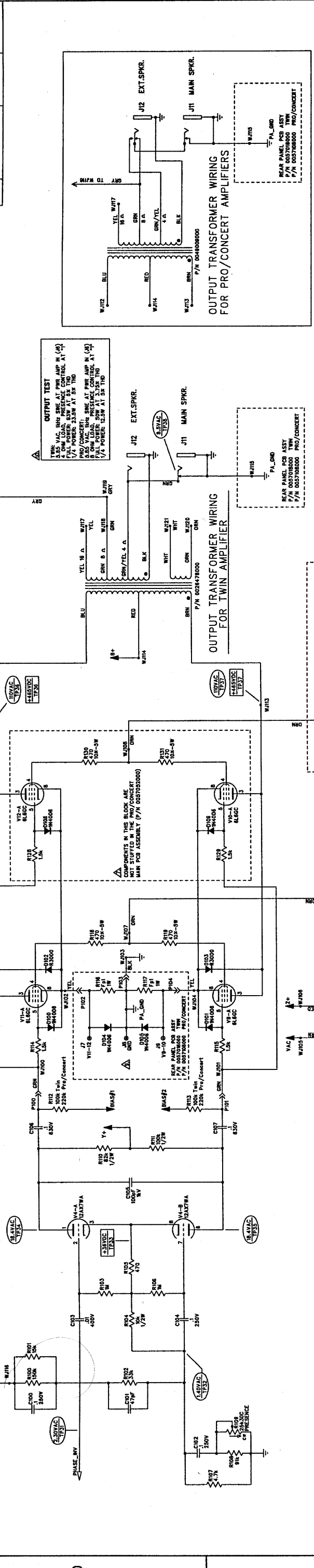


REV.	DESCRIPTION	DATE	APPROVED
A	PR448	16-OCT-00	S.M.B.
B	EC 2606	23-FEB-01	S.M.B.

1 2 3 4 5 6 7 8



A B C D

1 2 3 4 5 6 7 8

MUSICAL INSTRUMENTS
Corona, CA USA

TITLE: SERVICE DIAGRAM, COMBINED (continued)
PRO-TUBE AMPS
POWER AMP

CHECKED BY: _____
DATE: _____

APPROVED BY: _____
DATE: _____

SIZE: DRAWING NUMBER
D 005701400

RELEASE DATE: 16-OCT-00 SHEET: 2 OF 4

THIS DOCUMENT CONTAINS INFORMATION OF CONFIDENTIAL NATURE AND IS LOANED TO YOU IN CONFIDENCE AND SHALL NOT BE DISCLOSED OR TRANSMITTED TO OTHERS WITHOUT AUTHORIZATION FROM FENDER MUSICAL INSTRUMENTS.

NOTES: (UNLESS OTHERWISE NOTED)

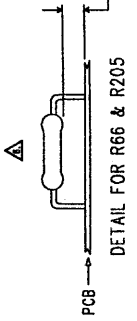
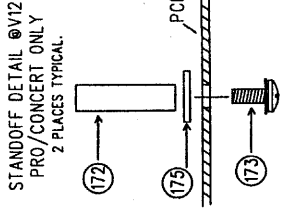
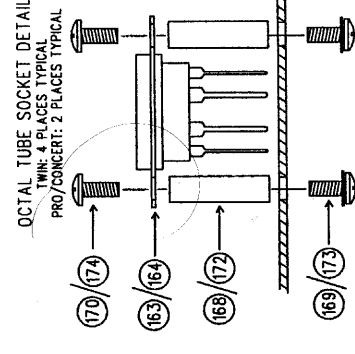
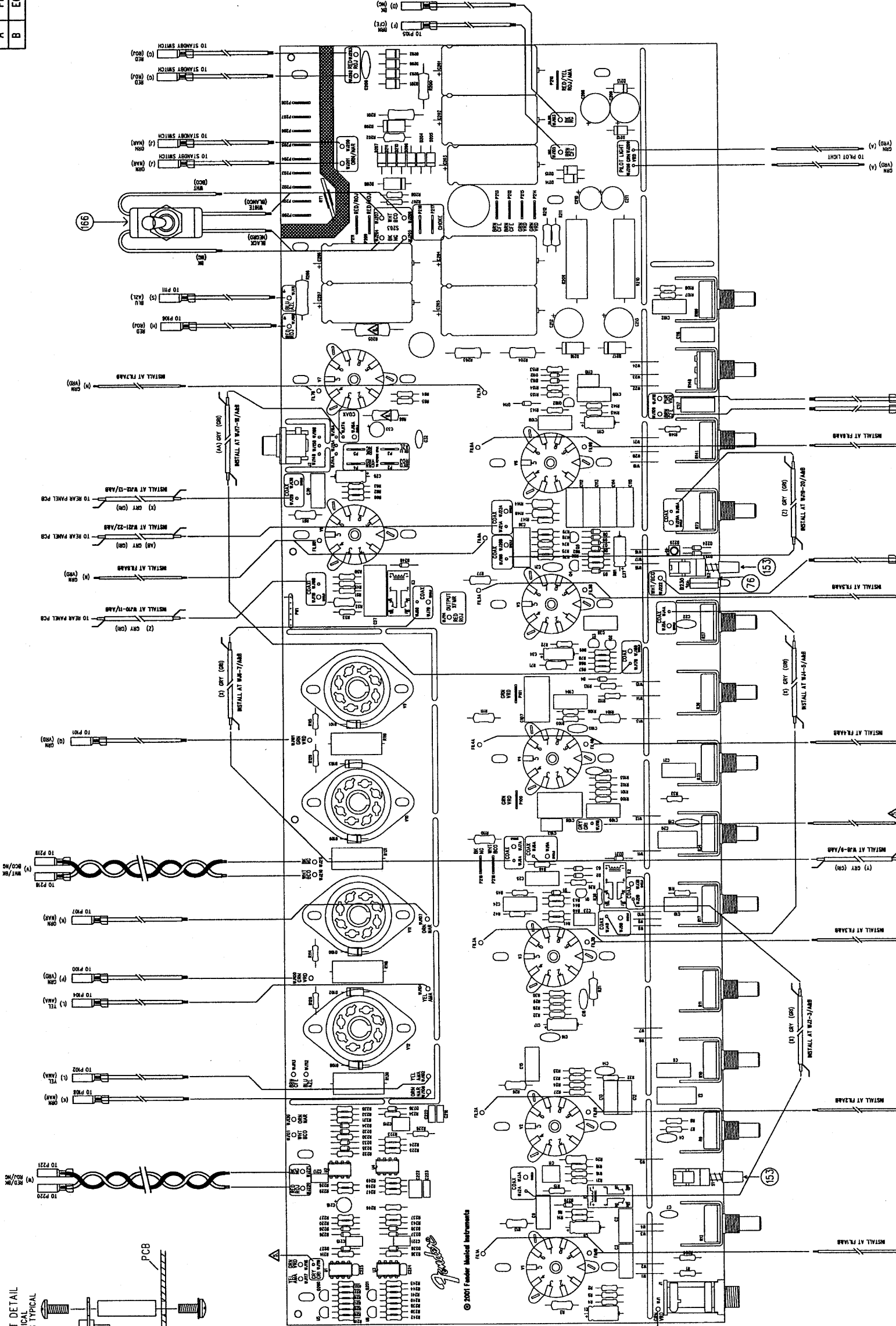
REVISIONS			
REV.	DESCRIPTION	DATE	APPROVED
A	PR44B	16-OCT-00	S.M.B.
B	EC 2606	23-FEB-01	S.M.B.

PART NUMBER DESCRIPTION	
0057052000	PCB ASSY PRO/CONCERT REVERSE MAIN
0057016000	PCB ASSY TWIN-AMP MAIN

MUSICAL INSTRUMENTS
Corona, CA USA

TITLE: SERVICE DIAGRAM, COMBINED (PCB assy)
PRO-TUBE AMPS
MAIN PCB

CHECKED BY: _____
DATE: _____
APPROVED BY: _____
DATE: _____
DRAWING NUMBER: _____
DATE: _____
SHEET 3 OF 4



THIS DOCUMENT CONTAINS INFORMATION OF A PROPRIETARY NATURE TO FISHER MEDICAL INSTRUMENTS AND ALL RIGHTS ARE RESERVED AND WILL BE ENFORCED BY LEGAL ACTION FROM FISHER MEDICAL INSTRUMENTS.

USE AND COPY MUST BE MADE AT LEAST 3mm FROM THE EDGE OF THE BOARD.

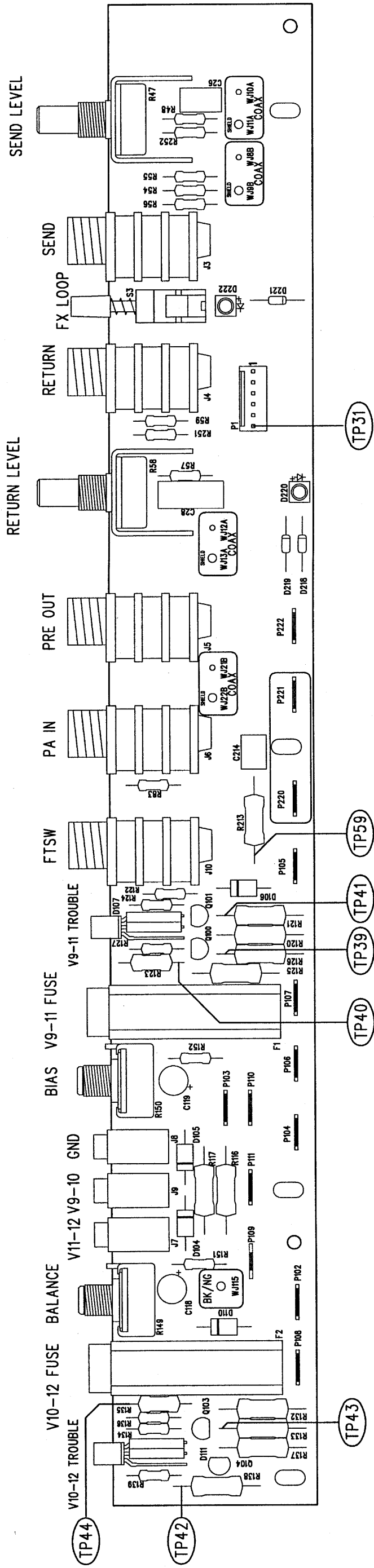
WIRE BUNDLES & TERMINALS AS FOLLOWS:
IN PCB ASSY, WIRE BUNDLES TO WIRE IN PCB ASSY, AND TERMINALS TO EXT. SPIN 8 OR 14P

THE FOLLOWING ITEMS ARE NOT STATED IN PRO/CONCERT ASSY:
1. WIRE BUNDLES & TERMINALS FOR MAIN
2. LETTERS IN BRACKETS () REFER TO PCB WIRE ITEMS.
3. WIRE BUNDLES & TERMINALS FOR MAIN
4. WIRE BUNDLES & TERMINALS FOR MAIN
5. WIRE BUNDLES & TERMINALS FOR MAIN
6. WIRE BUNDLES & TERMINALS FOR MAIN

APPROVED BY: _____
DATE: _____
DRAWING NUMBER: _____
DATE: _____
SHEET 3 OF 4

REVISIONS

REV.	DESCRIPTION	DATE	APPROVED
A	PR 448	16-OCT-00	S.M.B.
B	EC 2606	23-FEB-01	S.M.B.



FILM/DWG: SERVICE DIAGRAM
 DATABASE: Z448P2.PCB DATE: 16-OCT-00

2. SEE PAGE 1 FOR NOTES AND TEST CONDITIONS
 1. WIRES NOT SHOWN FOR CLARITY
 NOTES: (UNLESS OTHERWISE NOTED)

THIS DOCUMENT CONTAINS INFORMATION OF A PROPRIETARY NATURE TO FENDER MUSICAL INSTRUMENTS AND IS SUBMITTED TO YOU IN CONFIDENCE AND SHALL NOT BE DISCLOSED OR TRANSMITTED TO OTHERS WITHOUT AUTHORIZATION FROM FENDER MUSICAL INSTRUMENTS.

CHECKED BY: _____
 DATE: _____
 APPROVED BY: _____
 DATE: _____
 DRAWN: S.Bankhead ENGR: S.Bankhead
 DATABASE FILE: Z448P2.PCB

Fender
 MUSICAL INSTRUMENTS
 Corona, CA U.S.A.

TITLE: SERVICE DIAGRAM, COMBINED (PCB assy)
 PRO-TUBE AMPS
 REAR PANEL PCB

SIZE: B DRAWING NUMBER: 0057014000 REV. B
 RELEASE DATE: 16-OCT-00 SHEET 4 OF 4